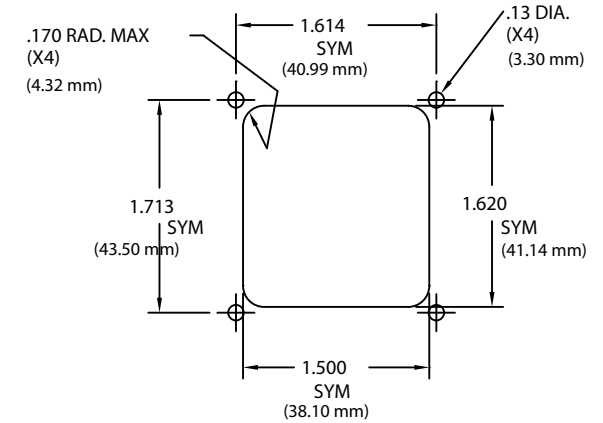
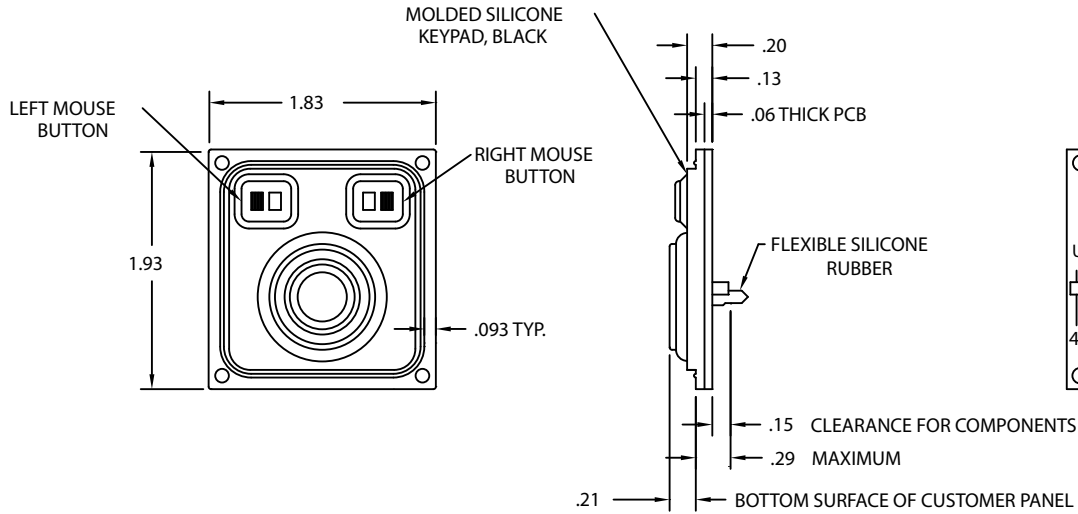


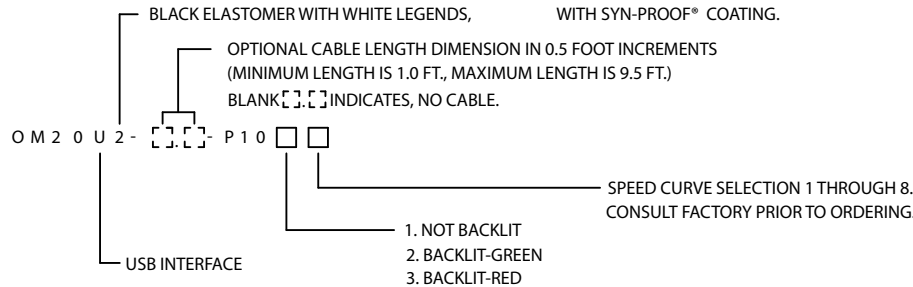
USB HEADER OUTPUT

PIN NO.	FUNCTION	"CTI" COLORS
1	VCC	RED
2	D-	WHITE
3	D+	GREEN
4	COMMON	BLACK



MOUNTING DETAIL

ORDERING INFORMATION:



SPECIFICATION:

TEMPERATURE:	-40°C TO 80°C
SEALING:	NEMA 4 (IP66)
SHOCK:	50GN 11 MSEC. PER MIL-STD-810
WEIGHT:	ASSEMBLY, LESS CABLE, APPROX. .7 OZ. (18 GRAMS)
STANDARD:	CE, ROHS, FCC CLASS B
PATENT:	7,499,032

NOTES:

- ALL KEY SWITCHES HAVE HARD GOLD PLATED CONTACTS, RATED AT 10 MILLION ACTIVATIONS.
- OUTPUT CONNECTOR HAS GOLD PLATED .025 SQUARE PINS ON .1" CENTERS
- THIS PRODUCT CONTAINS STATIC SENSITIVE COMPONENTS, USE APPROPRIATE PRECAUTIONS WHEN HANDLING.

**CTI ELECTRONICS CORPORATION**

[WWW.CTIELECTRONICS.COM](http://WWW.CTIELECTRONICS.COM)

**NEMA 4 (IP66) OEM INDUSTRIAL  
ORBITALMOUSE® (BUTTON STYLE POINTER)  
OM20U2 SERIES**

**761802**

SHEET 1 OF 1

REV. C

APPROVED

DATE 07-05-12

DRAWN BY  
SJS/PSB