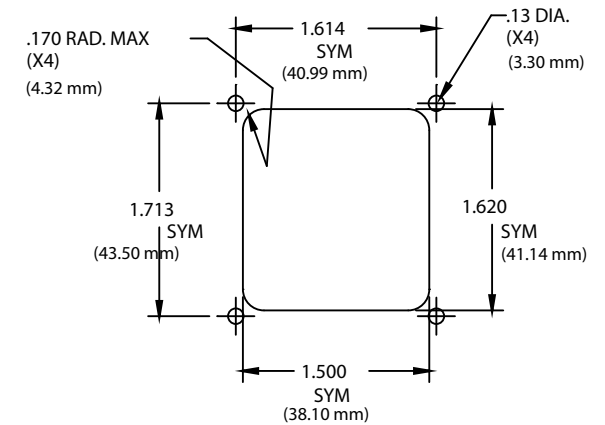
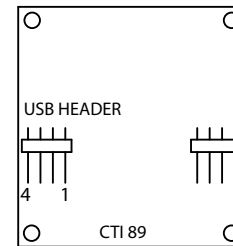
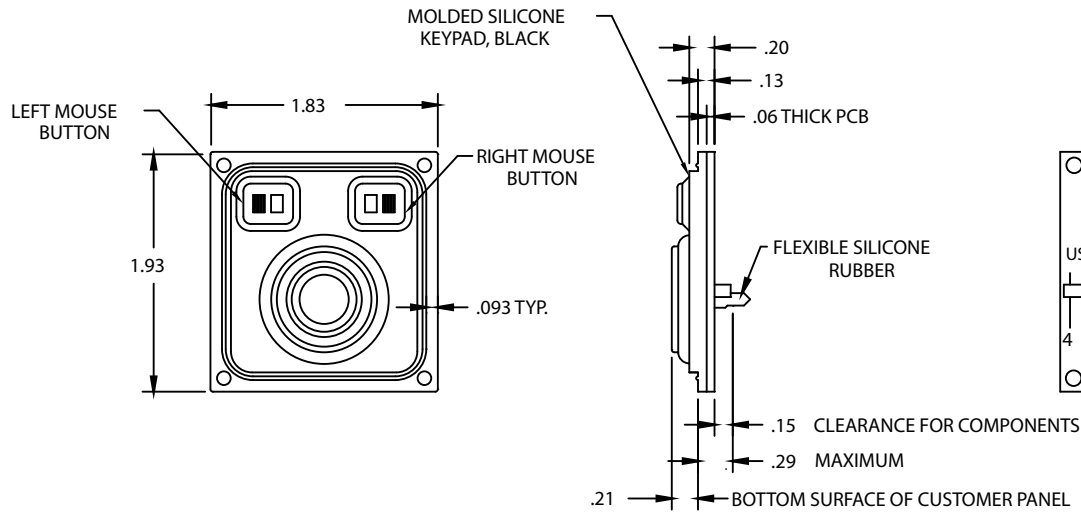


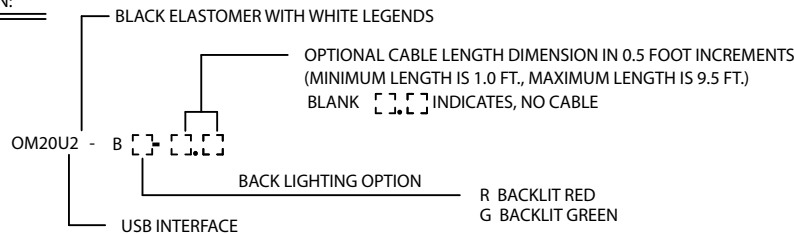
USB HEADER OUTPUT

PIN NO.	FUNCTION	"CTI" COLORS
1	VCC	RED
2	D-	WHITE
3	D+	GREEN
4	COMMON	BLACK



MOUNTING DETAIL

ORDERING INFORMATION:



SPECIFICATION:

TEMPERATURE: -40°C TO 80°C  
 SEALING: NEMA 4 (IP66)  
 SHOCK: 50GM 1 MSEC. PER MIL-STD-810  
 WEIGHT: ASSEMBLY, LESS CABLE, APPROX. .7 OZ. (18 GRAMS)  
 STANDARD: CE ROHS, FCC CLASS B  
 PATENT: 7,499,032

NOTES:

1. ALL KEY SWITCHES HAVE HARD GOLD PLATED CONTACTS, RATED AT 10 MILLION ACTIVATIONS.
2. OUTPUT CONNECTOR HAS GOLD PLATED .025 SQUARE PINS ON .1" CENTERS
3. THIS PRODUCT CONTAINS STATIC SENSITIVE COMPONENTS, USE APPROPRIATE PRECAUTIONS WHEN HANDLING.

CTI ELECTRONICS CORPORATION

WWW.CTIELECTRONICS.COM

NEMA 4 (IP66) INDUSTRIAL MOUSE  
 ORBITALMOUSE (BUTTON STYLE POINTER)  
 OM20U2-BX BACKLIT SERIES

761803

SHEET 1 OF 1

REV. B

APPROVED

DATE 01-28-11

DRAWN BY  
 SJS/PSB