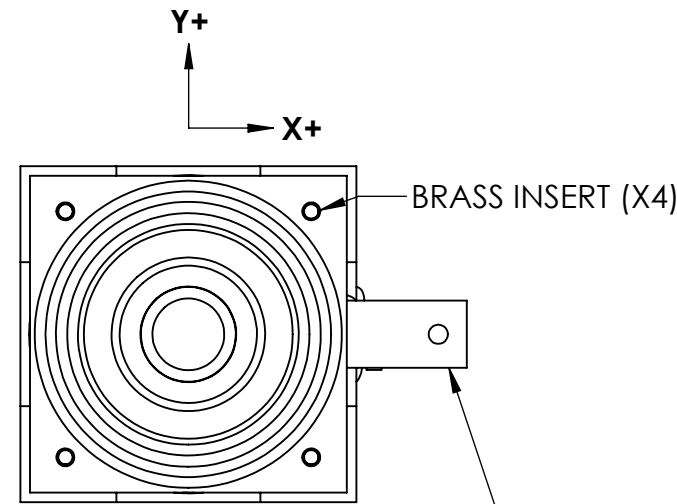
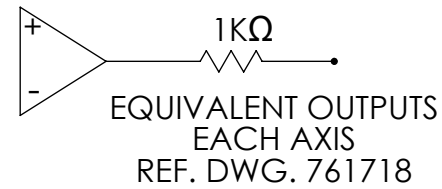


ORDERING INFORMATION FOR F1000A-N2W

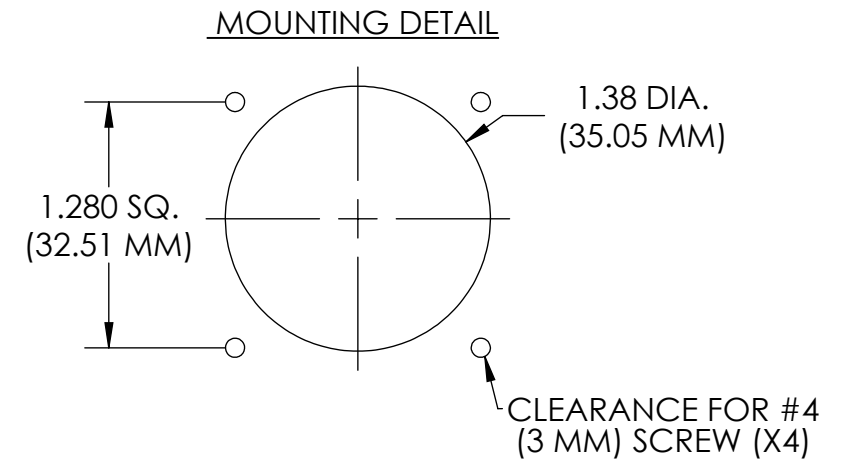
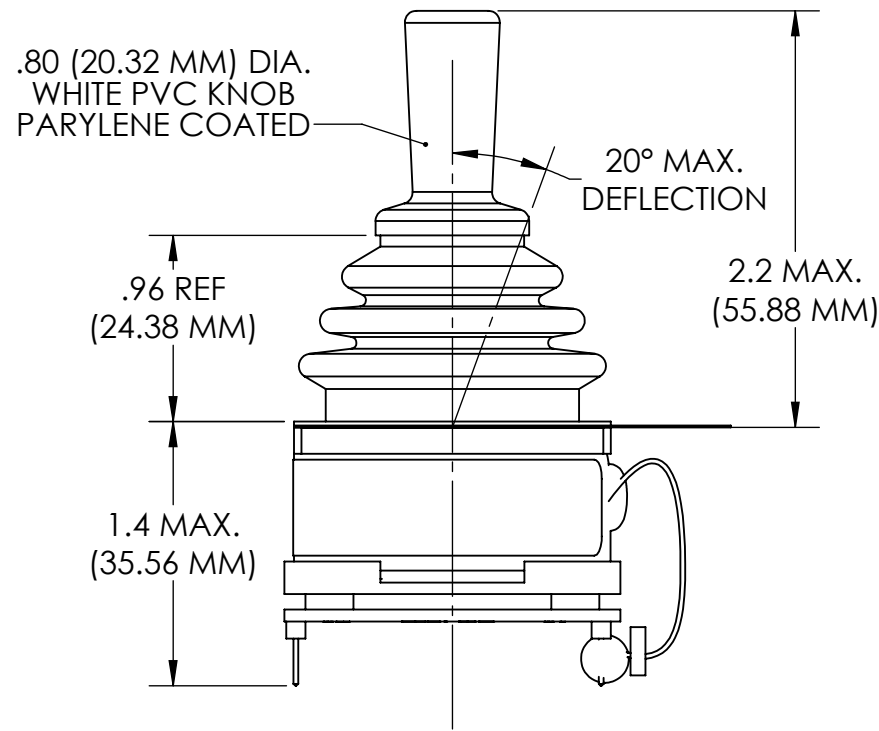
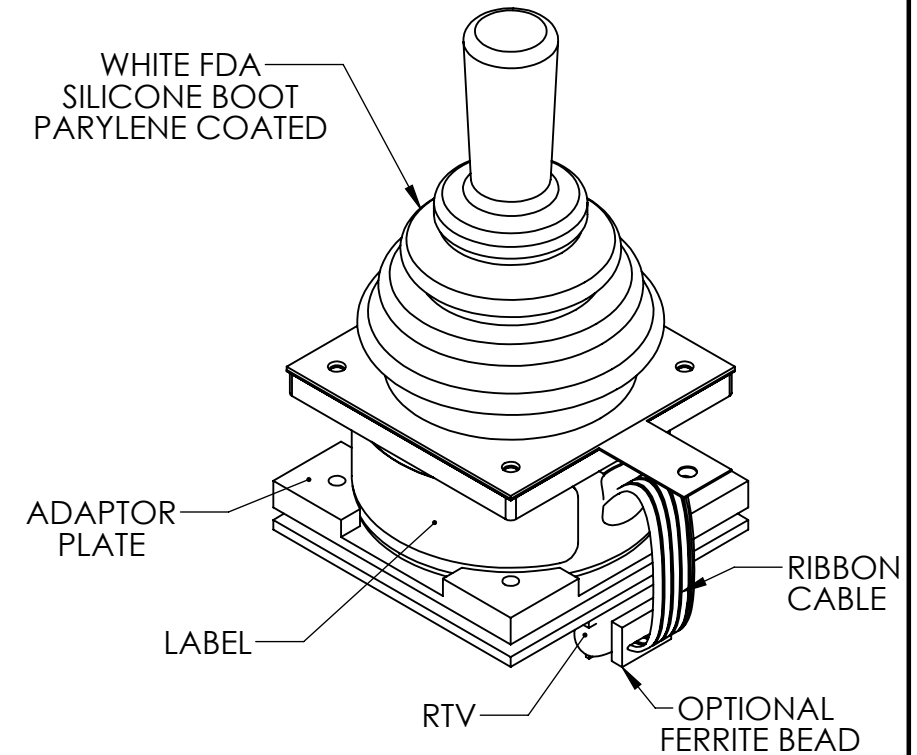
HAS WHITE FDA SILICONE BOOT AND WHITE PVC KNOB, BOTH PARYLENE COATED

- 1 4-40 THREADED INSERTS
- 3 3MM THREADED INSERTS
- 0 STANDARD TWO AXES
- 6 SINGLE "Y" AXIS
- 9 DUAL AXIS NON-SIMULTANEOUS

- | | |
|--------------|---------------|
| INPUT | OUTPUT |
| 2 ±5V | ±5V |
| 4 +5V | 0.5 TO 4.5V |
| 5 +5V | 0 TO 5V |



CAUTION :
OPTIONAL CONDUCTIVE FABRIC SHIELD,
DO NOT LIFT UP BOOT, WILL DAMAGE SHIELD
REFERENCE INSTALLATION INSTRUCTION 811810

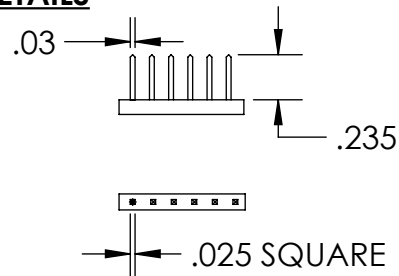


- F
- A
- N24W
- Z CONFORMAL COATING
- F FERRITE BEAD
- E WITHOUT DEADBAND
- G MAXIMUM COMPRESSION SPRING
- S CONDUCTIVE FABRIC SHIELD
- 0 WITHOUT NEUTRAL SWITCH
- 1 NEUTRAL SWITCH (AVAILABLE ON +5V MODELS ONLY)

SPECIFICATIONS

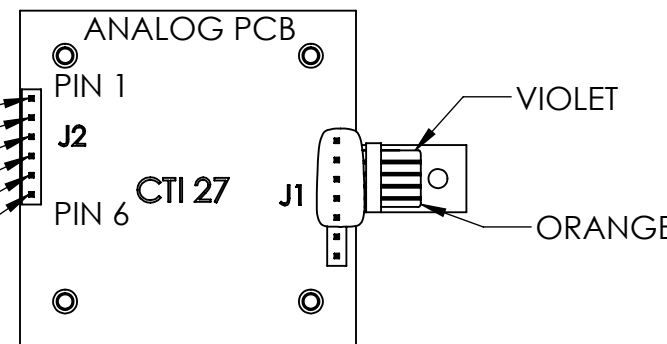
TEMPERATURE -40°C TO 80°C
 SEALING NEMA 4 / IP66
 WEIGHT 3.5 oz. , 100 g
 STANDARDS CE, RoHS, REACH, IPC 610 CLASS II COMPLIANT

OUTPUT HEADER DETAILS



SOLDER TO HEADER OR USE "AMP"
 6 POSITION CONNECTOR
 PART No. 1-87499-1
 AND SIX PINS PART No. 102917-2,
 OR EQUIVALENT

F1020	F1040 F1050
+5V	+5V
-5V	COMMON
X OUT	X OUT
COMMON	V REF.
Y OUT	Y OUT
OPTIONAL NEUTRAL SWITCH	



CTI ELECTRONICS CORP.

WWW.CTIELECTRONICS.COM

NEMA 4 / IP66 MEDICAL / CLEANROOM
 JOYSTICK F10X0A-N24W SERIES WITH
 ADAPTOR PLATE

761865

DATE 6-14-16

APPROVED:

SHEET 1 OF 1

DRAWN BY: A.J.K.

COPYRIGHT 2016 CTI ELECTRONICS CORP.
 SPECIFICATIONS SUBJECT TO CHANGE WITHOUT NOTICE